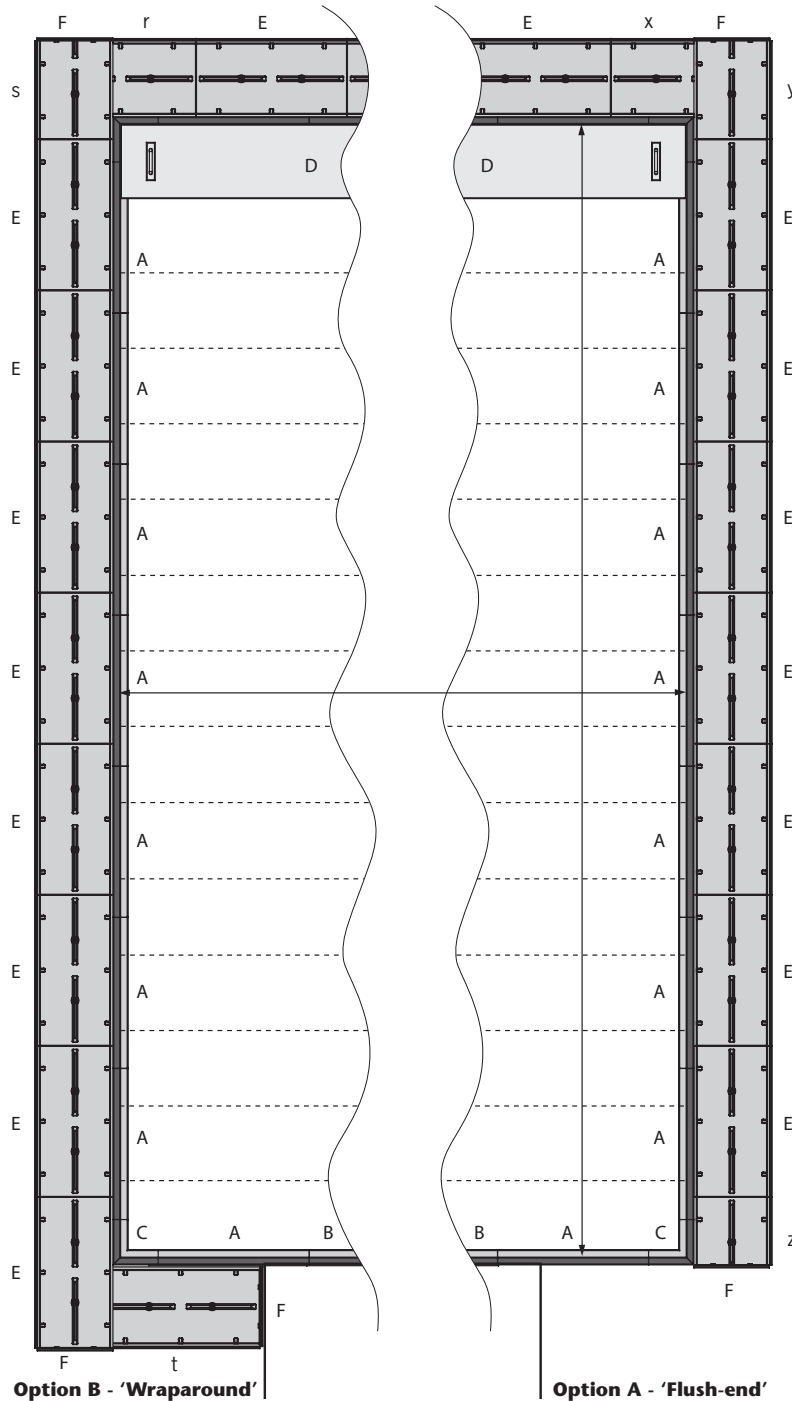


7320 Modular Jump Pit System - NCAA



Modular Jump Pit System - College (NCAA)



Optional A - Flush-End

Consists of:

- 18 one-meter curbs (A)
- 2 half-meter curbs (B)
- 4 corner curbs (C)
- 15 aluminum covers (D)
- 16 one-meter sand traps with cover (E)
- 2 sand traps with mats cut to 550 mm (x)
- 2 sand traps with mats cut to 652 mm (y)
- 2 sand traps with mats cut to 450 mm (z)
- 4 sand trap end caps (F)

Optional B - Wraparound

Consists of:

- 18 one-meter curbs (A)
- 2 half-meter curbs (B)
- 4 corner curbs (C)
- 15 aluminum covers (D)
- 18 one-meter sand traps with cover (E)
- 2 sand traps with mats cut to 550 mm (r)
- 2 sand traps with mats cut to 604 mm (s)
- 2 sand traps with mats cut to 785 mm (t) - or length to suit runway width (usually cut to length on site)
- 6 sand trap end caps (F)

Optional C - Curb & Cover Only

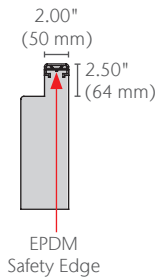
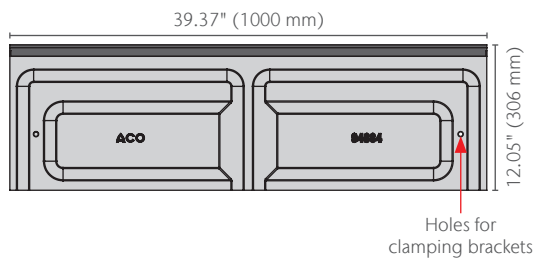
Consists of:

- 18 one-meter curbs (A)
- 2 half-meter curbs (B)
- 4 corner curbs (C)
- 15 aluminum covers (D)

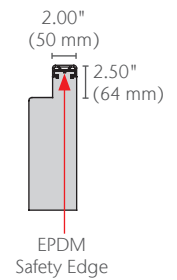
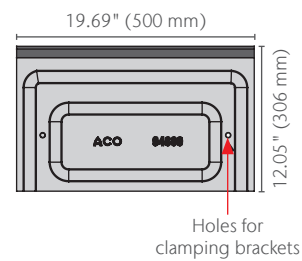
7320 Modular Jump Pit System - NCAA



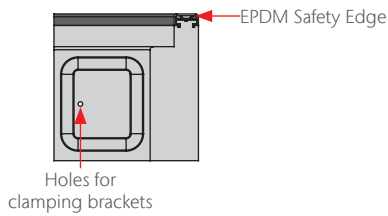
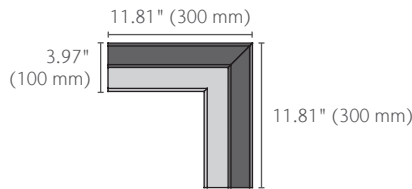
One Meter Curb Section - A



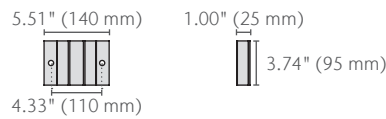
Half Meter Section - B



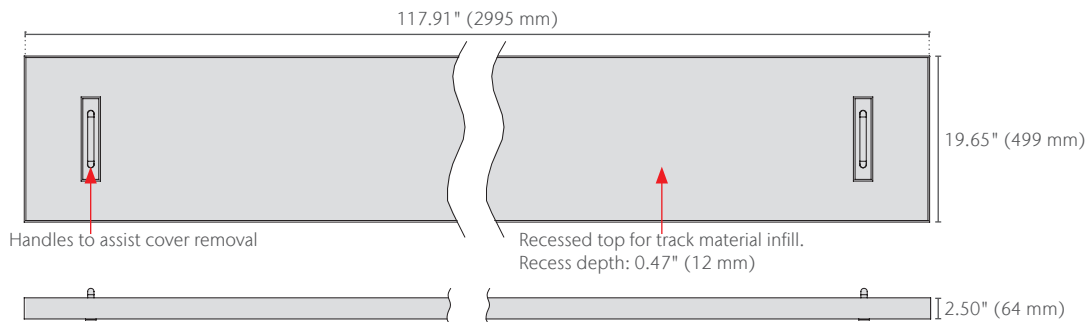
Corner Section - C



Clamping Bracket



Aluminum Covers - D

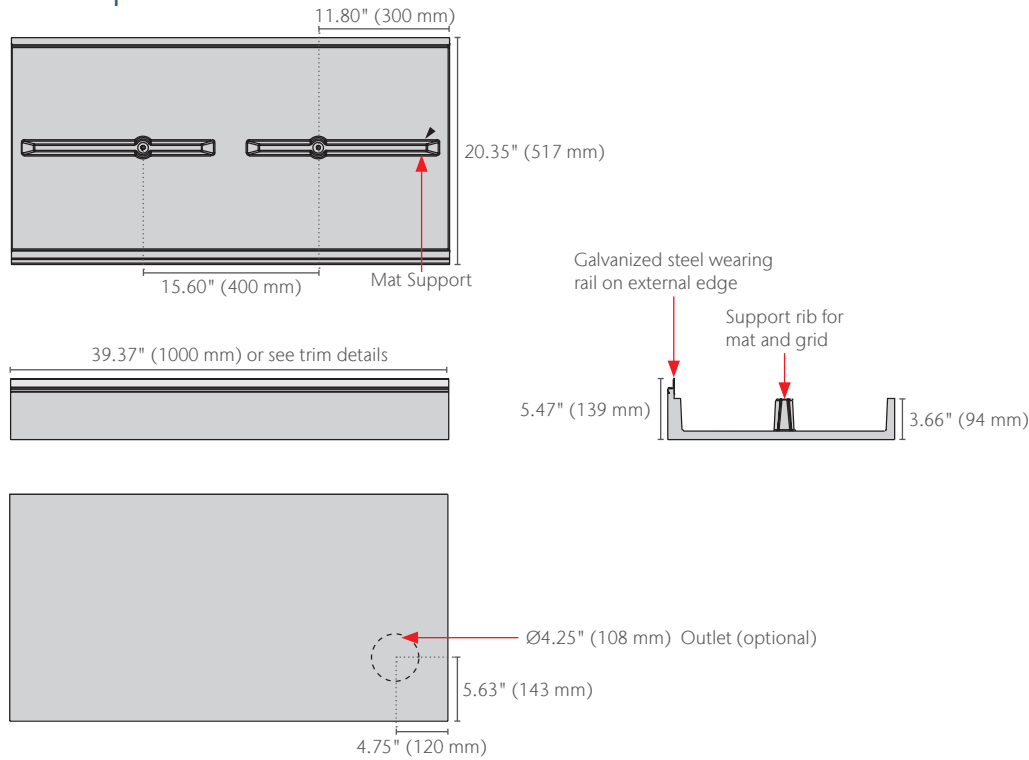


7320 Modular Jump Pit System - NCAA

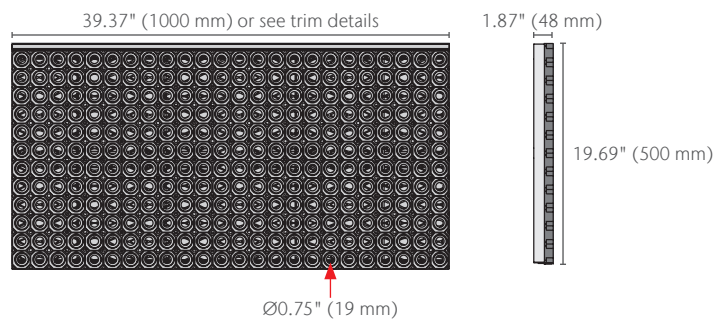


Sand Trap Parts (Optional)

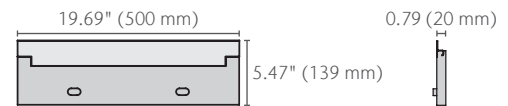
Sand Trap Base - E



Rubber Mat with Steel Mesh Support



End Cap - F



7320 Modular Jump Pit System - NCAA



College (NCAA) Jump Pits	Part No.	Weight lbs
Option A - Flushend		
Jump Pit System (curbs, sand traps & covers) Flushend - Black	91032	4,433.0
Jump Pit System (curbs, sand traps & covers) Flushend - White	91031	4,433.0
Option B - Wraparound		
Jump Pit System (curbs, sand traps & covers) Wraparound - Black	91045	4,791.0
Jump Pit System (curbs, sand traps & covers) Wraparound - White	91048	4,791.0
Option C - Curb & Cover		
Jump Pit System (curbs & covers) - Black	91027	2,475.0
Jump Pit System (curbs & covers) - White	91016	2,475.0
Accessories		
Jump Pit System Assembly Kit	91046	48.5

Specification Summary

Part I - General

- 1.1 Related Work** - Work specified in other sections includes but is not limited to: Excavation and backfill, cast-in-place concrete, and mechanical equipment.
- 1.2 System Description** - Modular jump pit system pre-cast from corrosion resistant polyester polymer concrete for on-site installation.
- 1.3 Submittals** - Manufacturer will submit, when required, shop drawings showing schematic plan of jump pit system listing all parts being provided suitable for installation. Copies of the manufacturer's recommended method of installation, assembly, and anchorage shall be submitted for review.
- 1.4 Project History** - Manufacturer shall submit a list of projects installed during the past twenty years, if required.
- 1.5 Warranty** - ACO provides a limited warranty of one year based on installation according to manufacturer's installation instruction data.

Part II - Product

- 2.1 Products** - Manufacturer shall be ACO, Inc.

2.2 Mechanical Characteristics

- Compressive strength - 14,000 psi
- Flexural strength - 4,000 psi
- Water absorption rate - <0.1% by weight.

Physical Characteristics

Sand Trap -

- Overall width - 20.35" (517 mm)
- Unit depth - 5.47" (139 mm)
- Unit length - 39.37" (1000 mm) or trimmed to length as detailed
- Integral galvanized steel edge rail along outside edge
- Supplied with galvanized steel mesh support grid and cellular rubber mat

Elastic Curbs -

- Overall width - 3.97" (100 mm)
- Unit depth - 12.05" (306 mm)
- Unit length - 39.37" (1000 mm); 19.69" (500 mm)
- Corner unit - 11.81" (300 mm) long creating 90 degree angle
- Integrally cast EPDM rubber safety edge

Aluminum Covers -

- Overall width - 19.65" (499 mm)
- Unit depth - 2.50" (64 mm)
- Unit length - 117.91" (2995 mm)

Part III - Installation

- 3.1 Site Preparation** - Excavate area for jump pit; wide enough and deep enough to accommodate the curbs and sand traps, if used, and a minimum of 4.00" (100 mm) concrete encasement. Units require a minimum of 4.00" (100 mm) of concrete support on both sides as well as beneath units. A string line or laser should be used to set units at the required level

3.2 Installation -

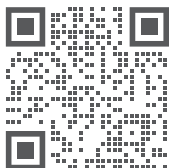
- Curb sections** are installed end to end. Curbs are supplied with one hole in each end of unit. Set curb units on concrete base so that they are level and square with each other. Place installation bracket up against part, lining up screw holes. Place two screws through bracket and partially thread nuts onto screws on opposite side. Use ratchet or wrench to tighten down snug. DO NOT over tighten as curb unit could be damaged. Continue process until all curbs are fastened together ensuring the curbs are all level and square with each other. Cover EPDM safety edge with tape or plastic to protect surface during concrete pour. Pour concrete or backfill according to architects plans.
- Sand trap sections** are installed end to end. Each section shall be placed on brick, rebar basket, low slump concrete grout slurry to obtain correct finished elevation. Cover top of the sand trap with plastic, or plywood to protect surface during concrete pour.
- Aluminum covers** sit inside curb units, fill with track material to match surrounding surface

- 3.3** Install in strict accordance with manufacturer's recommendations and drawings. Details available at www.ACOSport.us

ACO, Inc.

© January 2026 ACO, Inc.

All reasonable care has been taken in compiling the information in this document. All recommendations and suggestions on the use of ACO products are made without guarantee since the conditions of use are beyond the control of the company. It is the customer's responsibility to ensure that each product is fit for its intended purpose and that the actual conditions of use are suitable. ACO, Inc. reserves the right to change products and specifications without notice.



info@acousa.com
www.acousa.com

